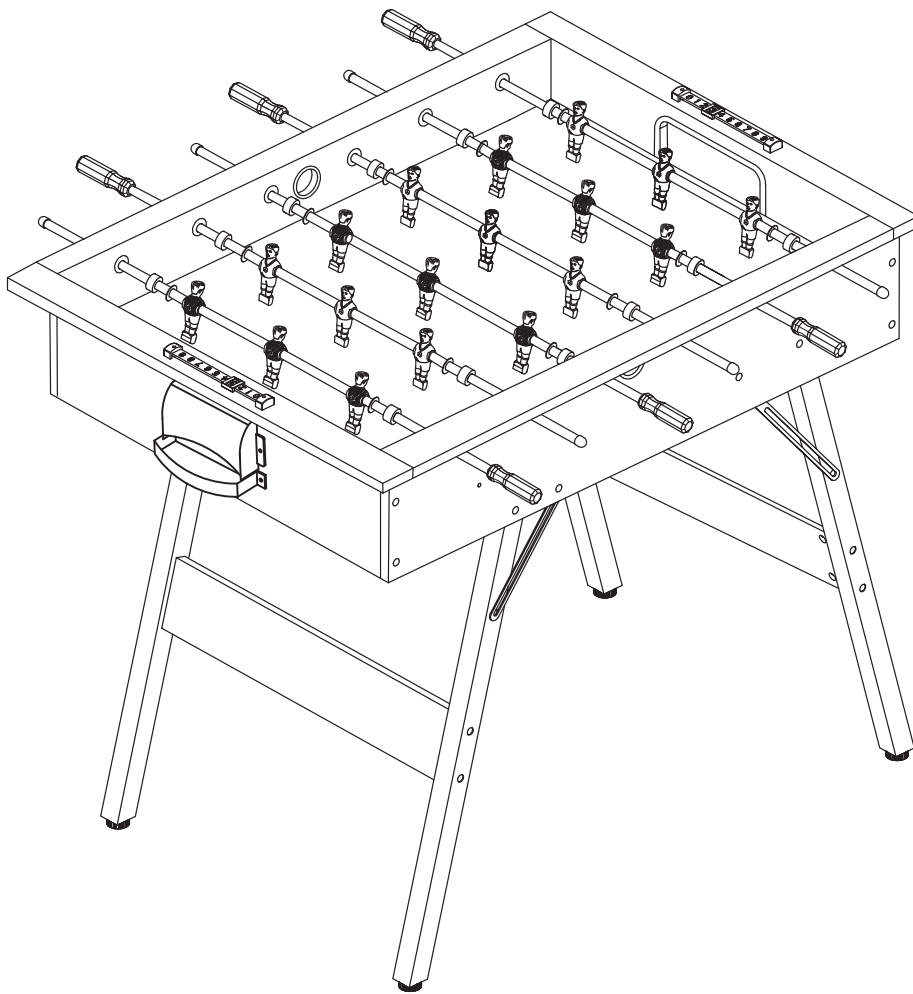




KICK Rattler 36"
(Brown/Black)
FOOSBALL TABLE
ASSEMBLY INSTRUCTIONS



FY300

Assembly Instructions

WARNING: TWO ADULTS ARE NEEDED TO ASSEMBLE THE SOCCER TABLE



Official Website of KICK Foosball Tables



IF YOUR TABLE HAS DAMAGES, MISSING PARTS, OR YOU ARE NOT 100% SATISFIED PLEASE CONTACT KICK, NOT THE RESELLER.

← SCAN THIS QR CODE TO CONTACT US IF YOU FACE ANY ISSUES.

FOR THE LATEST INSTRUCTION MANUALS, VIDEOS, TABLE ASSEMBLY INFO, DIFFERENT GOALIE SETUPS, PLAYER TYPES, AND OTHER HELPFUL TIPS - PLEASE VISIT THE LINK BELOW OR SCAN THIS QR CODE →

www.KICKFoosballTables.com/Instructions/



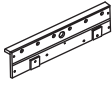
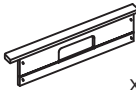



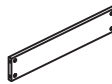












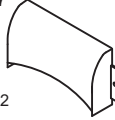
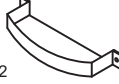
CONTACT INFORMATION:

Email: Support@KICKFoosballTables.com
Website: www.KICKFoosballTables.com
Phone: 1 (866) 844-KICK (5425) or (210) 664-8934










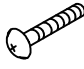




MAILING ADDRESS:

KICK Sports
PO Box 790311
San Antonio, Texas 78279

PARTS LIST

1  X2 SIDE PANEL	2  X2 END PANEL	3  X1 PLAYFIELD	4a  X2 LEG A	4b  X2 LEG B	5  X2 CROSS BAR	6  X4 HINGE
7  X1 SUPPORT BRACE	8  X2 SOCCER BALL	9  X6 ROD HANDLE	10  X6 ROD END CAP	11  X12 ROD BUMPER	12  X12 ROD WASHER	13  X2 SLIDE SCORER
14a  X9 PLAYER	14b  X9 PLAYER	15  X6 3 PLAYER ROD	16  X4 LEG LEVELER	17  X2 GOAL BOX TOP	18  X2 GOAL BOX BOTTOM	

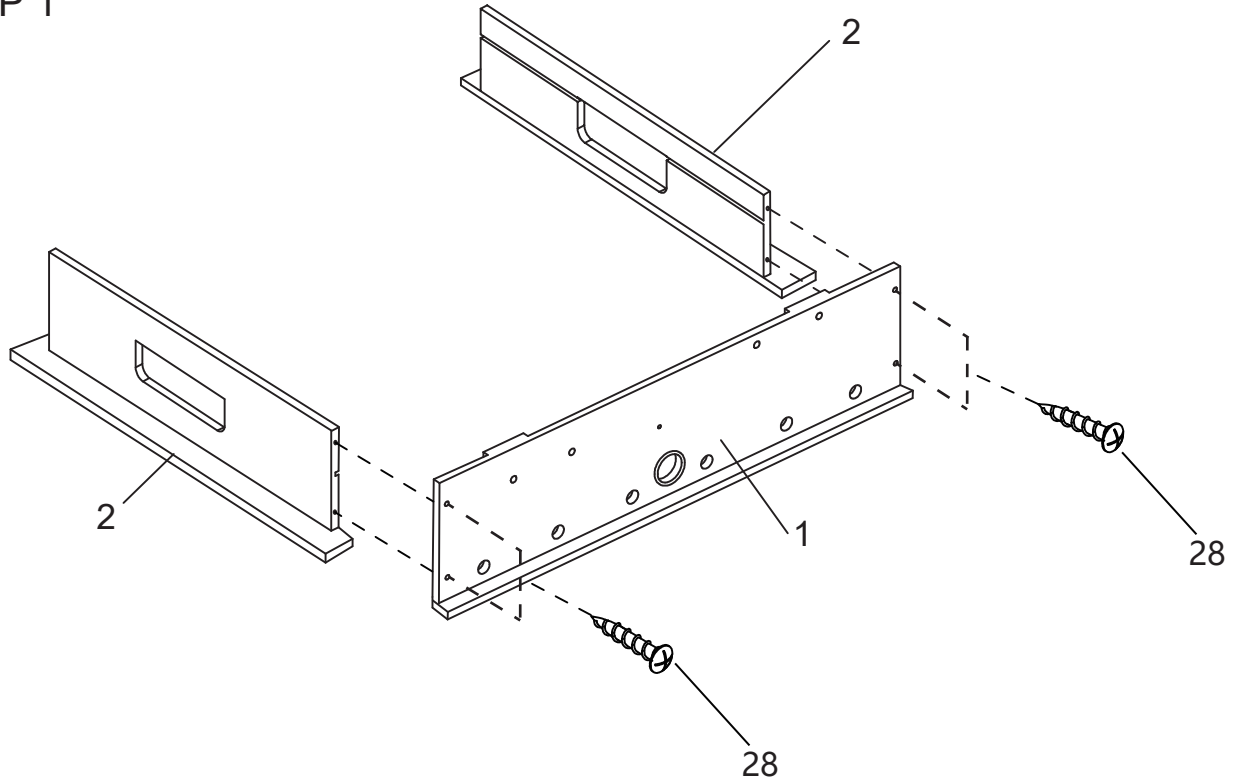
HARDWARE

20  X6 1/8" x 5/8" SCREWS	21  X4 1/4" x 1-3/4" BOLT	22  X4 1/4" x 1" BOLT	23  X8 1/4" x 2-1/4" BOLT	24  X4 1/4" x 2-3/4" BOLT	25  X44 1/4" WASHER	26  X8 1/4" LOCK NUT
27  X12 1/4" NUT	28  X10 1/8" x 1-3/4" SCREWS	29  X18 1/8" x 3/4" BOLT	30  X18 1/8" NUT	31  X4 1/8" x 1" SCREWS	32  X8 1/8" x 1/2" SCREWS	33  X1 ALLEN WRENCH

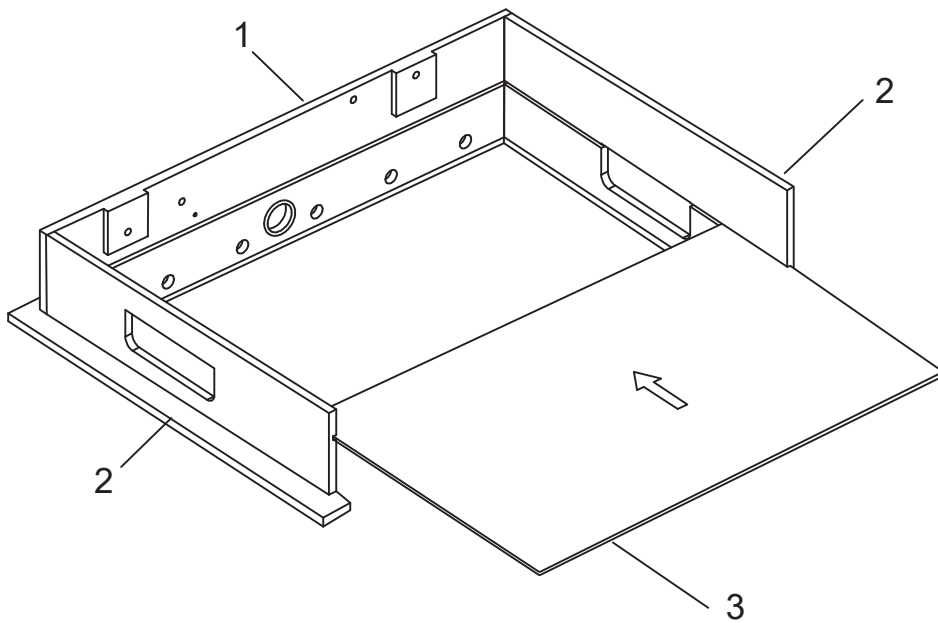
Assembly Instructions

WARNING: TWO ADULTS ARE NEEDED TO ASSEMBLE THE SOCCER TABLE

STEP 1



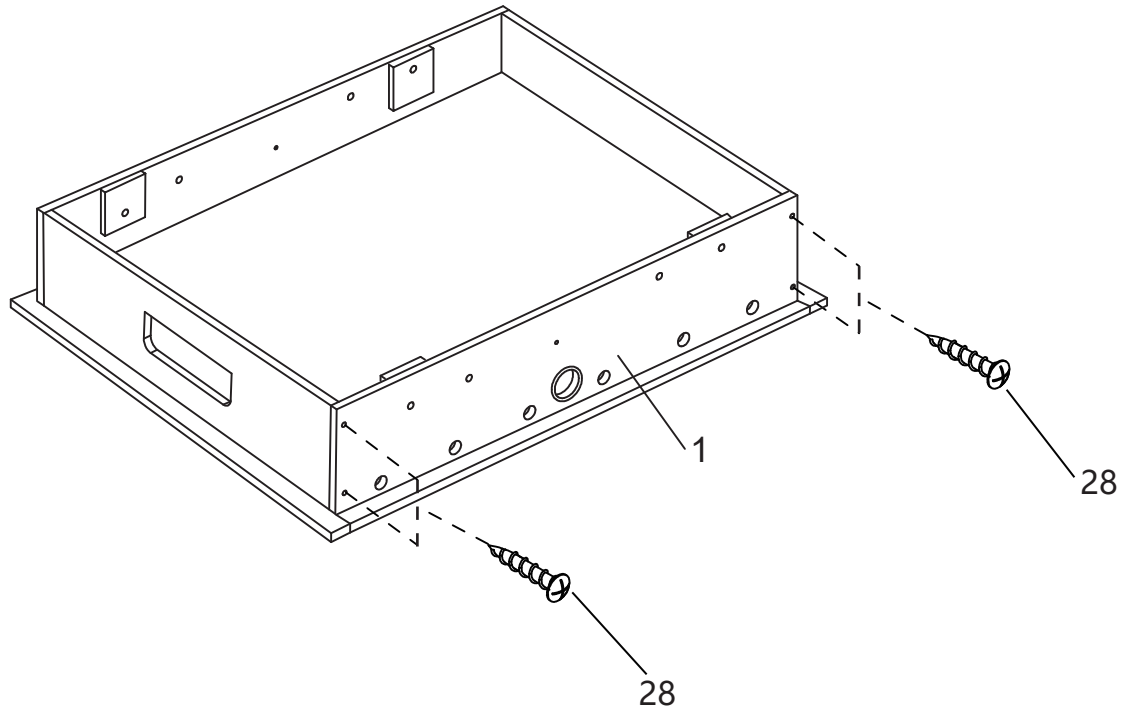
STEP 2



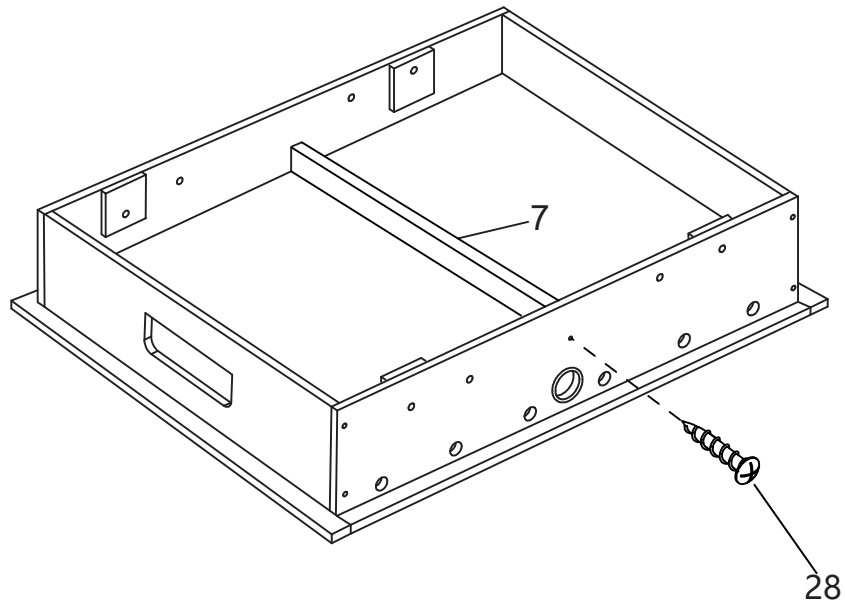
Assembly Instructions

WARNING: TWO ADULTS ARE NEEDED TO ASSEMBLE THE SOCCER TABLE

STEP 3



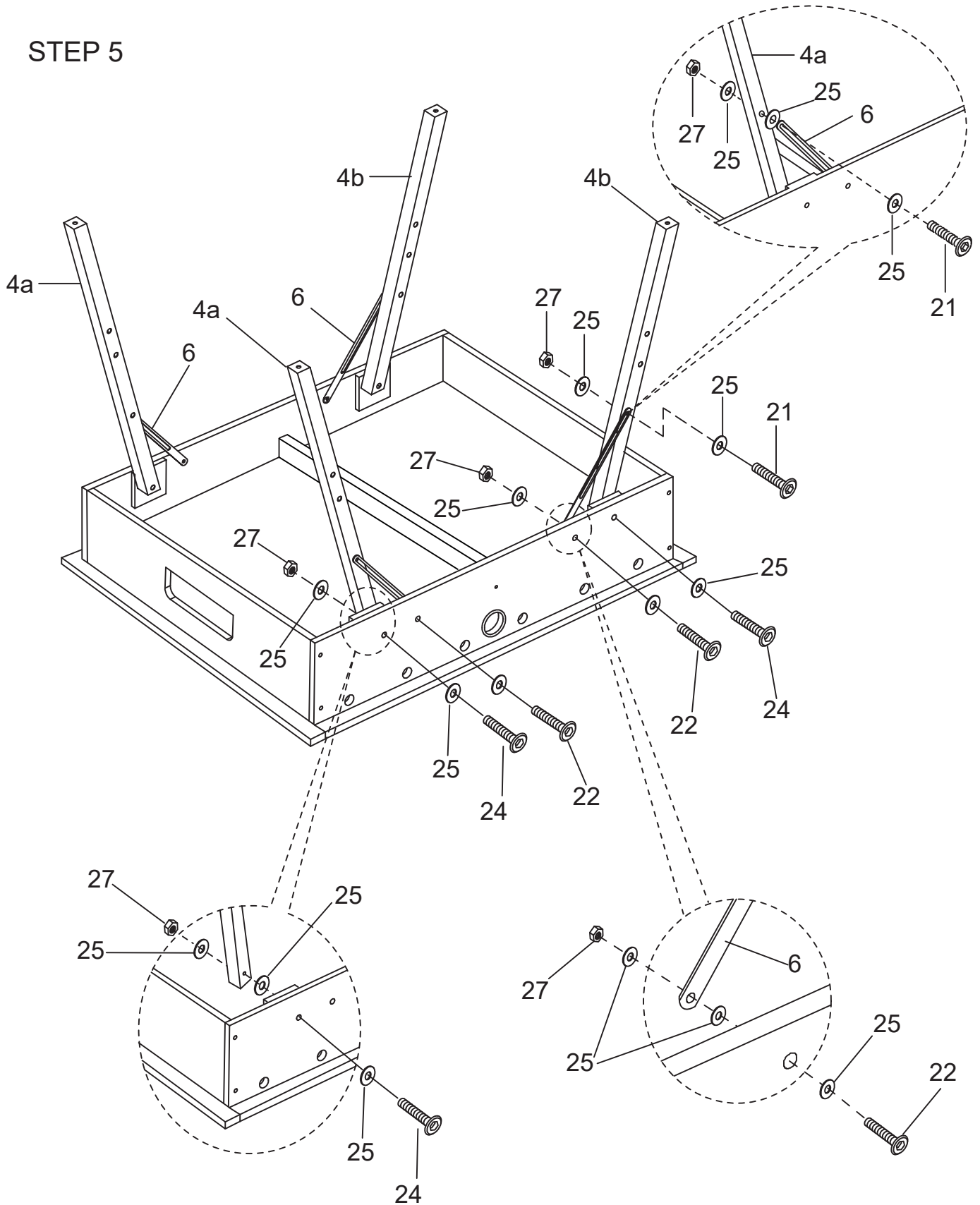
STEP 4



Assembly Instructions

WARNING: TWO ADULTS ARE NEEDED TO ASSEMBLE THE SOCCER TABLE

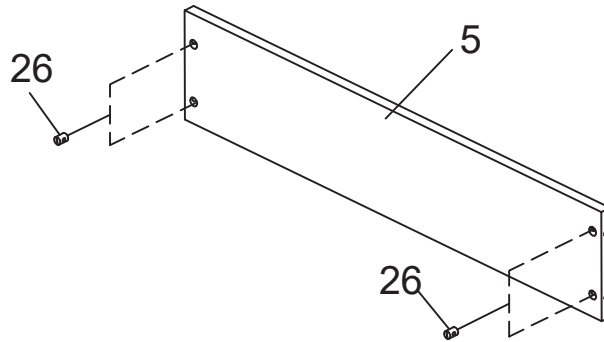
STEP 5



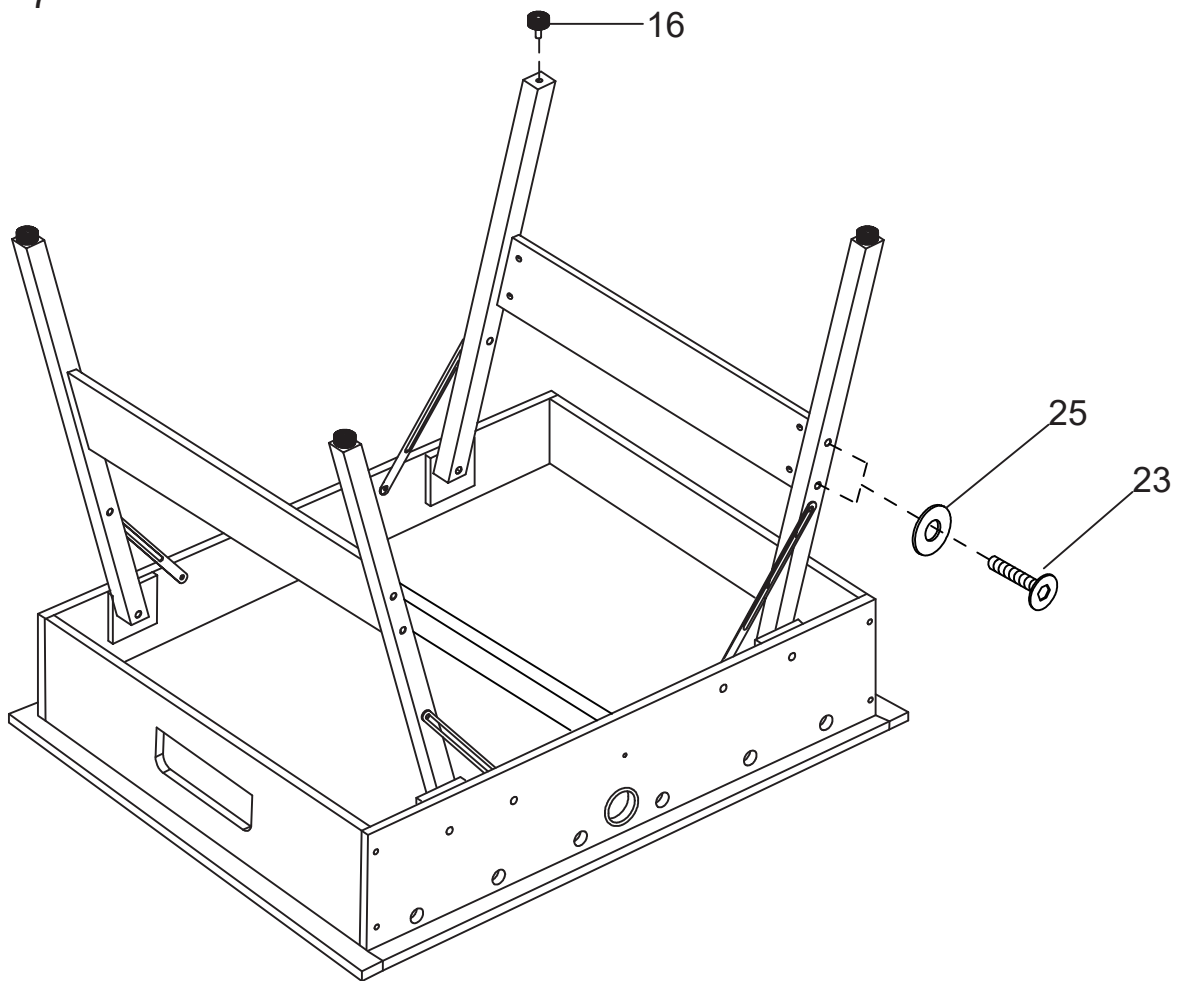
Assembly Instructions

WARNING: TWO ADULTS ARE NEEDED TO ASSEMBLE THE SOCCER TABLE

STEP 6



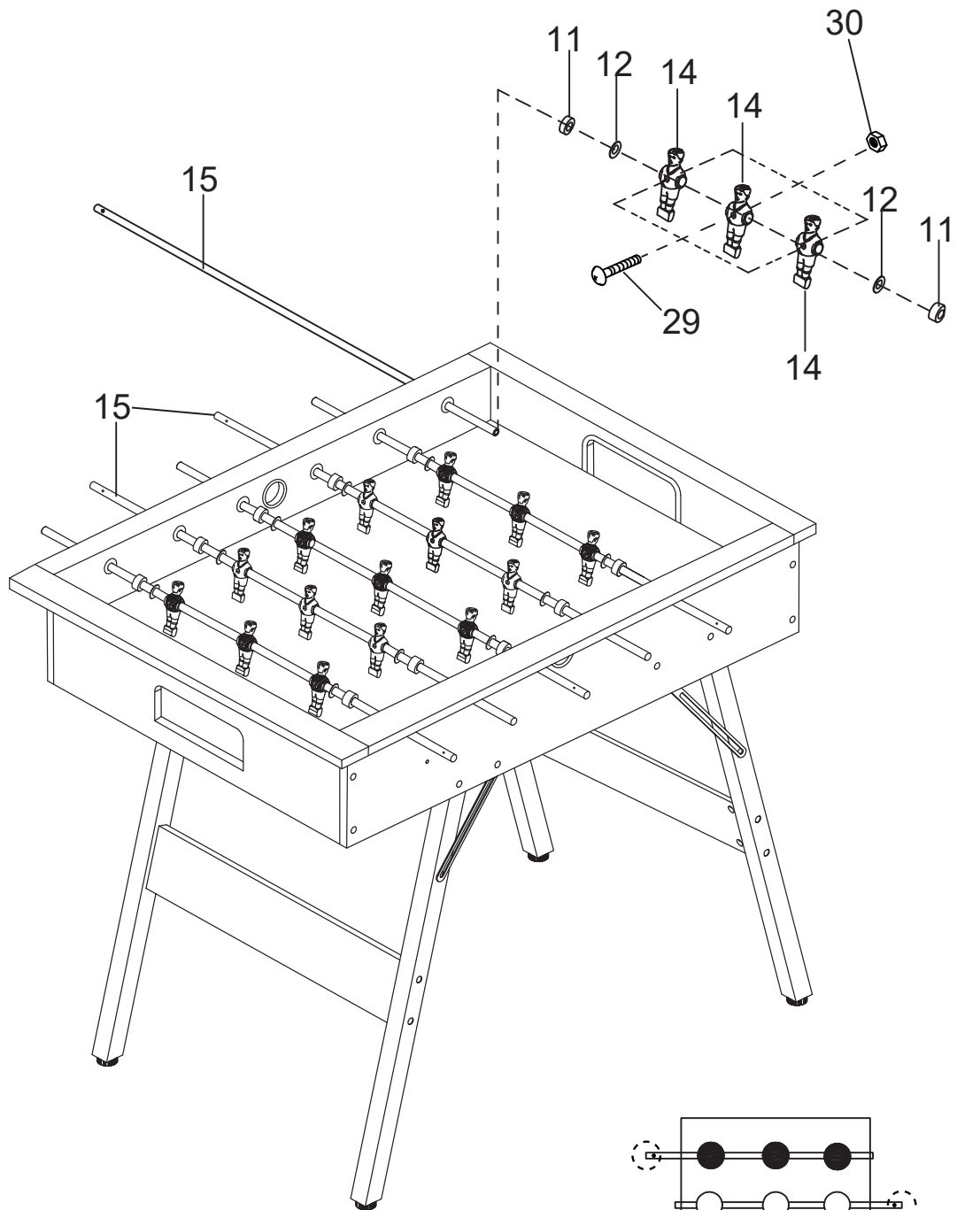
STEP 7



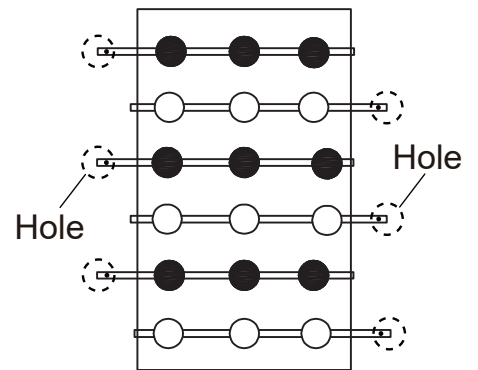
Assembly Instructions

WARNING: TWO ADULTS ARE NEEDED TO ASSEMBLE THE SOCCER TABLE

STEP 8



Insert the rod end part way through one side panel, and then place the rest of the parts needed on each rod, in the order shown, before inserting through the other side panel.

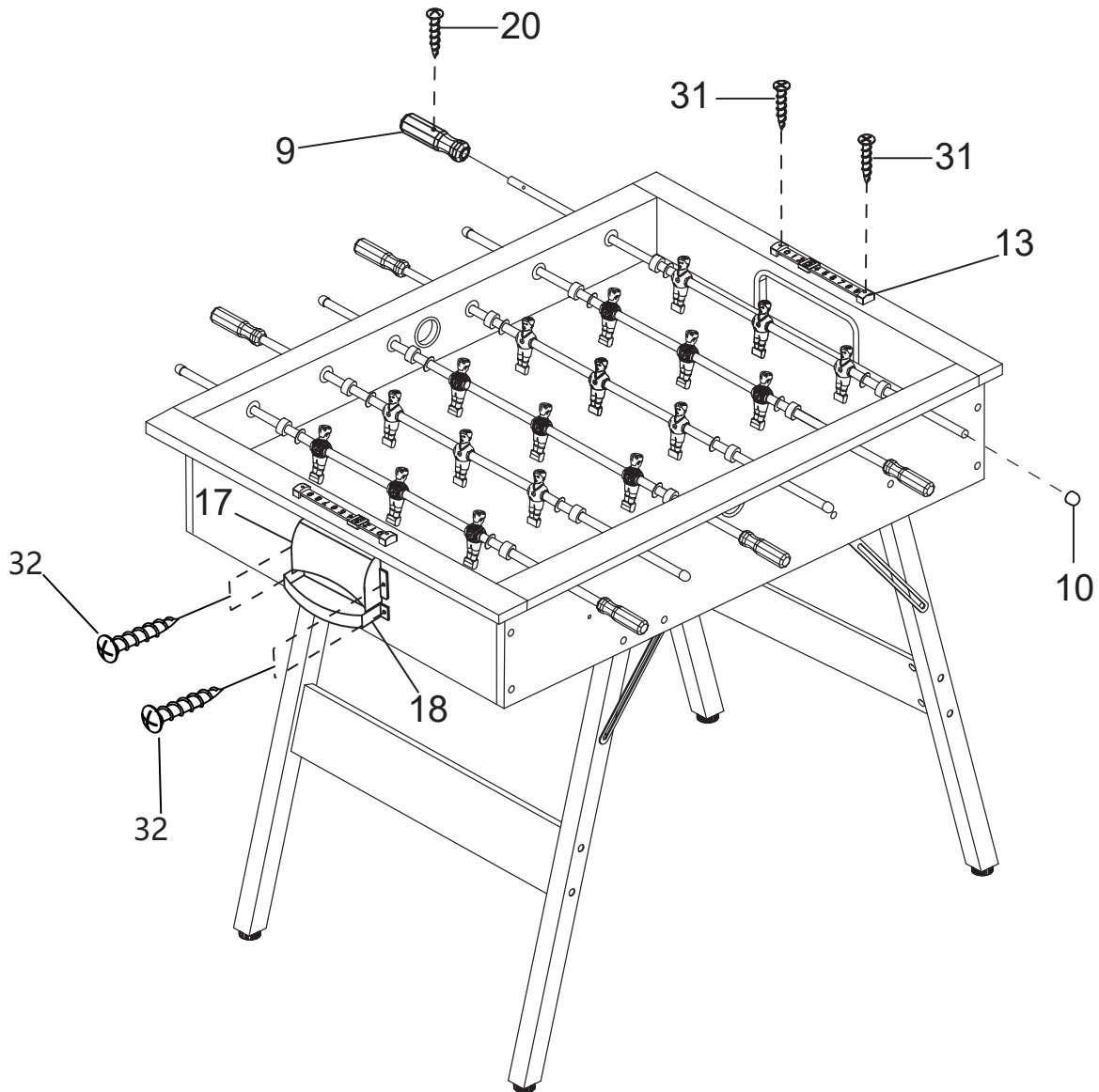


● = AWAY ○ = HOME

Assembly Instructions

WARNING: TWO ADULTS ARE NEEDED TO ASSEMBLE THE SOCCER TABLE

STEP 9



Assembly Instructions

WARNING: TWO ADULTS ARE NEEDED TO ASSEMBLE THE SOCCER TABLE

STEP 10

When folding the table, be sure to fold the legs on this side first and then on the other side, overlapping them and laying them flat.

Be sure to loosen the bolts #21 a bit before folding legs

